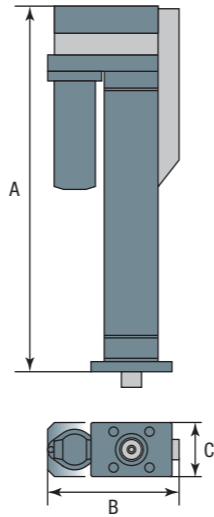


■ Press Unit Specifications

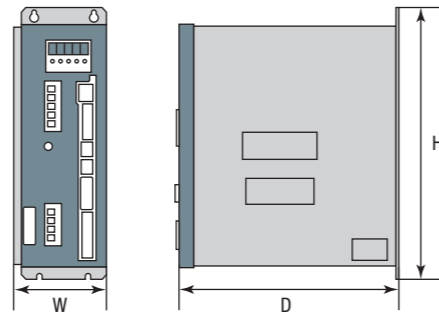
Model Name*1	SPT005-20	SPT010-25	SPT020-25	SPT030-25	SPT050-30	SPT100-30	SPH100-30
Pressing Capability (kN)	5	10	20	30	50	100	
Consecutive PressRate (kN)	2.1	4.2	5.6	6.9	10.2	52.4	100
Max. Stroke (mm)*2	200	250		300			
Max. Feed Speed (mm/sec)	345	310	225	200	121	114	44
Max. Press-in Speed (mm/sec)	80	76	60	46	27	85	33
Repeatability (mm)	±0.01						
Press Repeat Accuracy	$3\sigma/\bar{X} \leq 1.5\%$						
Dimensions	A (mm)	541	676	724	777.5	924	1175
	B (mm)	199	228	245	265	305	503
	C (mm)	80	100	110	130	160	250
Weight (kg)	16	39	44	70	115	352	
Control unit to be combined	SPU50C-20		SPU50C-40			SPU50C-5K	

*1 SPT100-30 (High-Speed type) and SPT100-30 (Consecutive press type) are Order-to-made.
 *2 For detail such as changing stroke length, please contact the person in charge at our company.

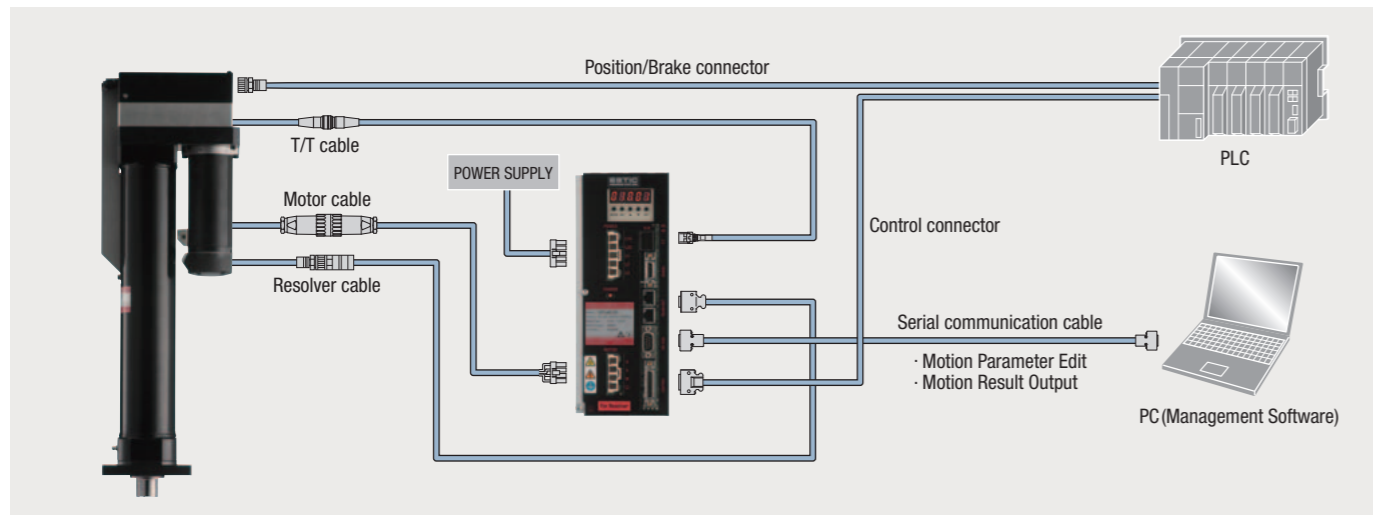


■ Control Unit Specifications

Model	SPU50C-20	SPU50C-40	SPU50C-5K
Control Power Voltage	Single Phase	AC200V~230V±10%	50/60Hz
Main Power Voltage	Three Phases	AC200V~230V±10%	50/60Hz
Main Power Capacity (At Rated Operation)	1.2KVA	1.7KVA	3.7KVA
Dimensions	W (mm)	87	116
	H (mm)	255	274.5
	D (mm)	205	210
Weight (kg)	3.2	3.4	3.5



■ System Diagram



ESTIC CORPORATION

With us, the Future

www.estic.co.jp

Head Office & Osaka Sales Office
 International Department
 2-5-9 Hashibahigashino-cho, Moriguchi City, Osaka, 570-0031 Japan
 Phone: +81-6-6993-8855 Fax: +81-6-6993-8881
 E-mail: int_dep@estic.co.jp
 osaka_office@estic.co.jp

Tokyo Sales Office
 2F Shinyokohama Bousei Bldg., 3-20-12 Shin-Yokohama, Kouhoku-ku, Yokohama-shi, Kanagawa Pref. 222-0033, Japan
 Phone: +81-45-474-3036 Fax: +81-45-474-3037
 E-mail: tokyo_office@estic.co.jp

Chubu Sales Office
 Yamahichi Higashikazaki Bldg. 2F, 19-13, Kawabata, Myodaiji-cho, Okazaki-city, Aichi, 444-0864 Japan
 Phone: +81-564-66-0510 Fax: +81-564-66-0515
 E-mail: chubu_office@estic.co.jp

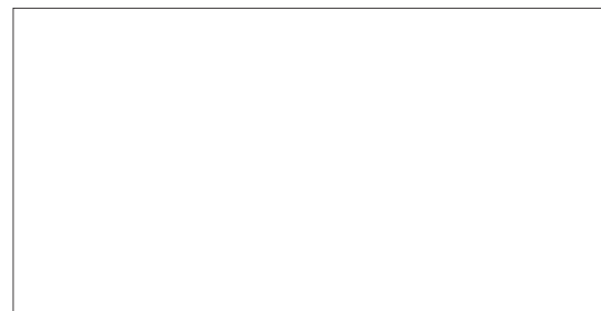
SUBSIDIARIES

SHANGHAI ESTIC CO., LTD.
 No. 6, 51 Gate, 1159 Lane, Kangqiao East Road, Pudong, Shanghai, 201315 China
 Phone: +86-21-6813-0333 Fax: +86-21-6813-0777
 E-mail: ecc@estic.cn

ESTIC (THAILAND) CO., LTD.
 19 Naradhiwas Rajanakarini Road, Chong Nonsi, Yannawa, Bangkok, 10120, Thailand
 Phone: +66-2-678-0171 Fax: +66-2-678-0173
 E-mail: sales@estic.co.th

ESTIC AMERICA, INC.
 1895 Airport Exchange Blvd., Suite 220, Erlanger, Kentucky, 41018 U.S.A.
 Phone: +1-859-746-8800 Fax: +1-859-746-8777
 E-mail: support@estic-america.com

● The colors of the products may slightly differ from those of the actual products, which inevitable in printing.
 ● The specifications and designs of the products may be changed without previous notice.



This catalog uses vegetable oil ink.

The contents of the catalog are as of July, 2015.

ESTIC

With us, the Future



Energy saving / Clean and quiet working environment / Reduction of running cost SERVO PRESS

ESTIC develops and provides high quality and accurate products using advanced servo and digital technology.

Environmental consideration

Reduction of energy consumption and noise with superior features of a Servo motor drive. (Energy consumption is approx 10~20 % less energy in comparison with air or oil powered presses.)

Improvement of production

Controlling load, position, speed, and time with high accuracy optimizes production cycle time. Feeding back real time operation conditions prevents damaging work object.

Safety Design

Internal brake holds ram from free fall in case of power failure.

Easy setup

System configuration is simple consisting of tool, controller, cable. User friendly parameter input enables short setup times. (High accuracy load cell and resolver are used)

Traceability

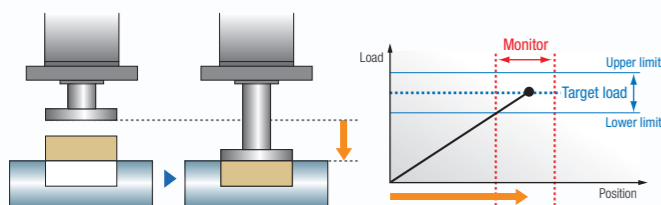
A large range of data is collected allowing for full traceability.

4 modes of control

Entering one of the four control modes and inputting the required parameters are the only steps in programming the system. Using the management software (option) enables shorter start-up time.

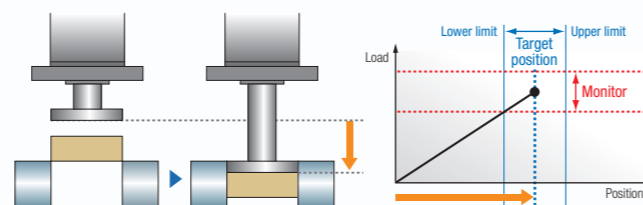
Load control & Position monitor

Load control until Target (Upper/Lower limit Judgment)
With Position and Motion time monitor (Upper/Lower limit Judgment)



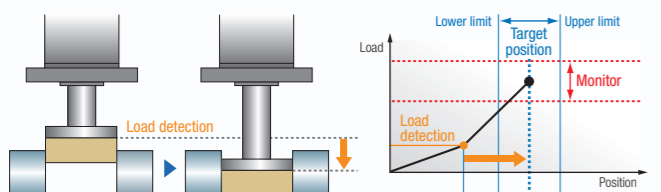
Position control & Load monitor

Position control until Target (Upper/Lower limit Judgment)
With Load and Motion time monitor (Upper/Lower limit Judgment)



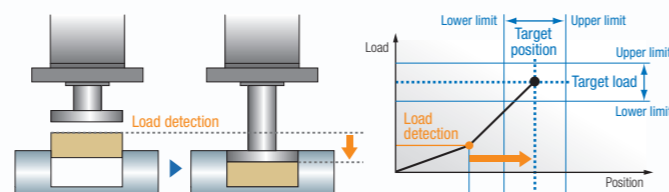
Increment control

Position control from SNUG point to Target (Upper/Lower limit Judgment)
With Load and Motion time monitor (Upper/Lower limit Judgment)



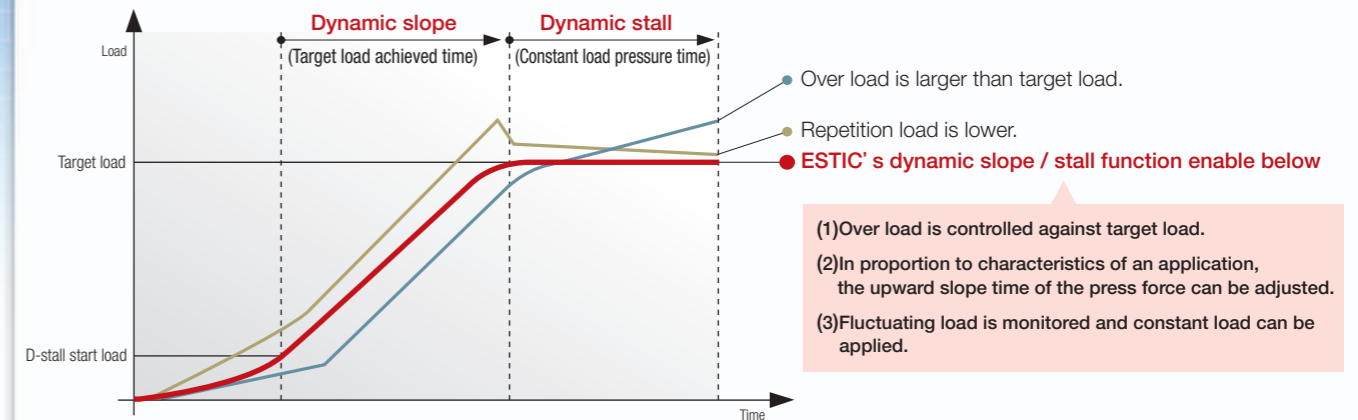
Load control & Increment control

Load control and Position control from SNUG point to Target (Upper/Lower limit Judgment)
With Load/Position and Motion time monitor (Upper/Lower limit Judgment)



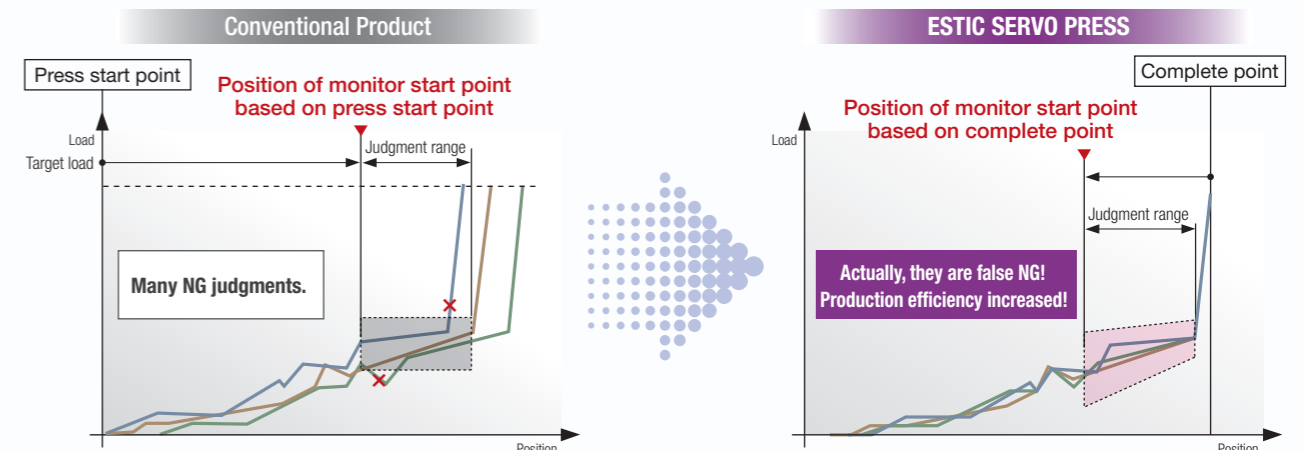
Dynamic Slope / Stall function

Motion control of servo motor directly reads the real time feed-back load condition from press tool. This function is able to keep a constant load pressure by checking & controlling fluctuating load of application.



Back monitor function (range judgment)

This function can judge using the upper & lower load limits at any position of the pressing process. Monitoring a range based on the end of the process avoids judgments influenced by the scattering of position readings or equipment fatigue.



If monitor start point is set based on press start point, NG judgment will frequently happen because the judgment range is enormously influenced by scattering of position. Moreover, initial adjustment is complicated.

In the case that monitor start point is set based on the end of the pressing process, judgment range is not influenced so much even though scattering of position occurs. Moreover, initial adjustment is easy.

Application

Press-In
Bearing, Valve Guide, Valve Seat, Plug, Bush, Pin, etc

Crimping

Straightening

Fitting

Punching

Positioning